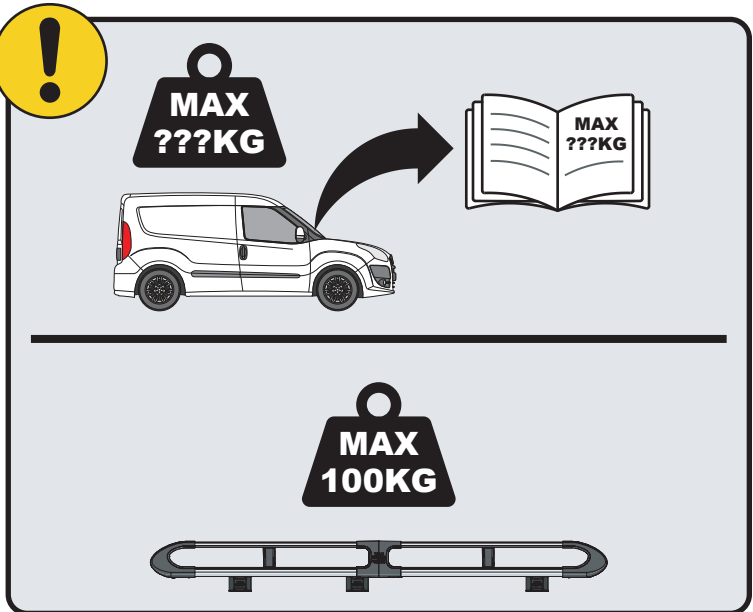
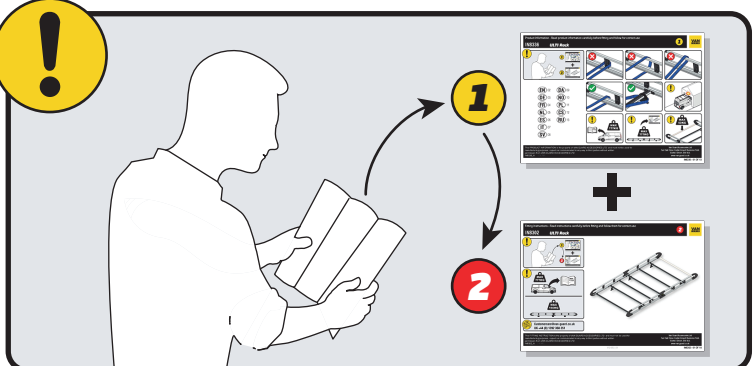
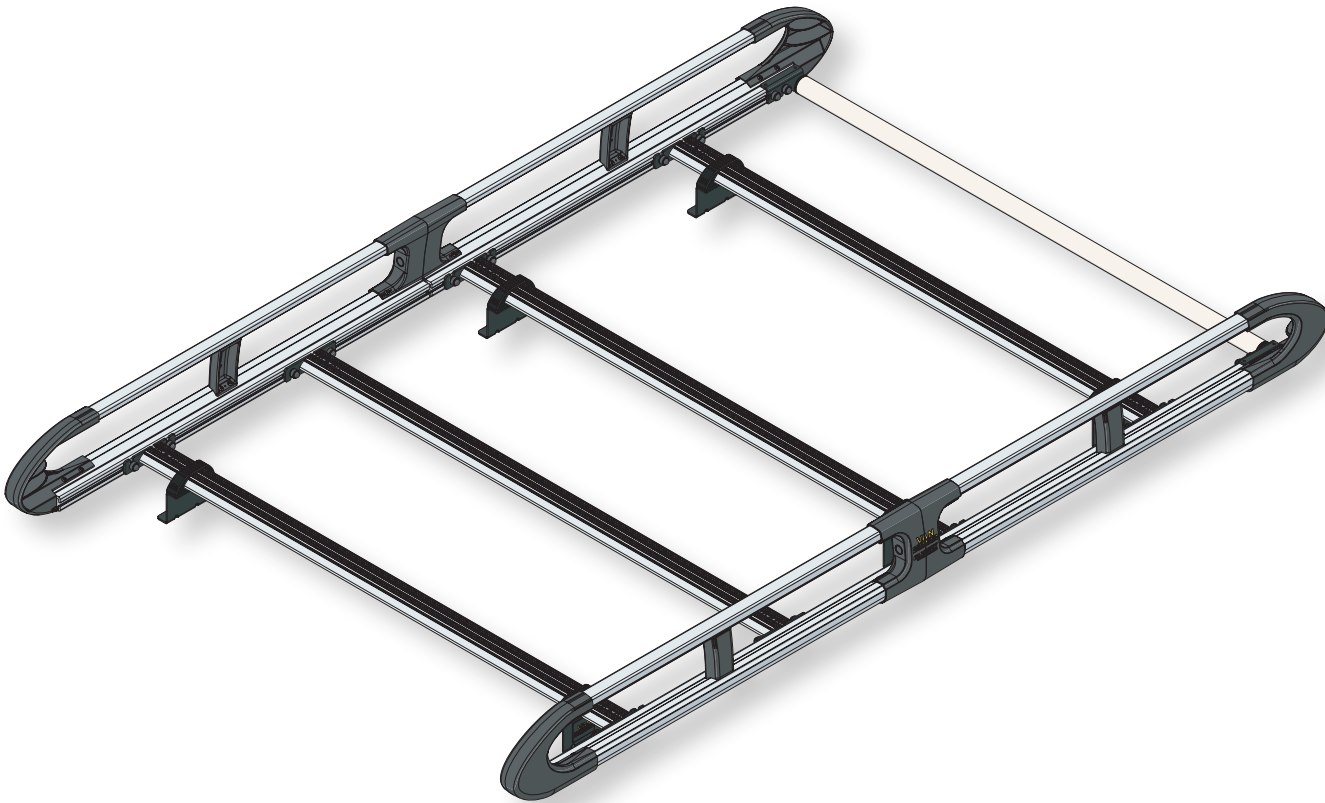


IN8313

ULTI Rack+



 Customercare@van-guard.co.uk
UK +44 (0) 1392 368 351

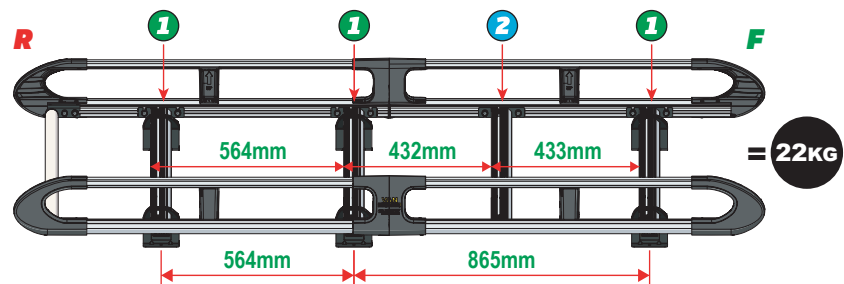
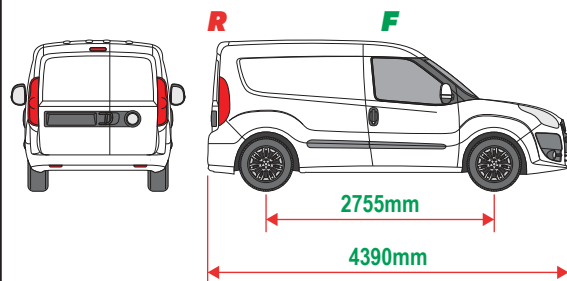


This FITTING INSTRUCTION is the property of VAN GUARD ACCESSORIES LTD. and must not be used for manufacturing purposes, copied nor communicated in any way to third parties without written permission from VAN GUARD ACCESSORIES LTD.
IN8313_B (CN:00356)

Van Guard Accessories Ltd
Fair Oak Close, Exeter Airport Business Park,
Exeter, Devon, EX5 2UL
www.van-guard.co.uk

VGUR-242

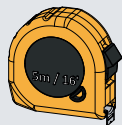
Fiat Doblo: 2010 on
Vauxhall Combo 2012-2018
L1H1 (SWB)
Twin Rear Doors



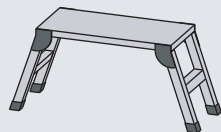
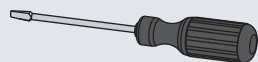
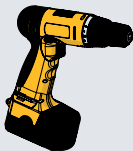
SUPPLIED COMPONENTS - CHECK ALL PARTS ARE PRESENT AND CORRECT BEFORE PROCEEDING (1 OF 2)

TOOLS REQUIRED

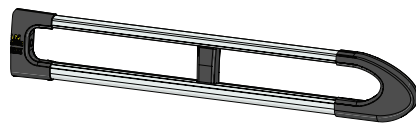
10MM X1



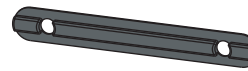
13MM X1



AS3531 X2
(2000 / A)



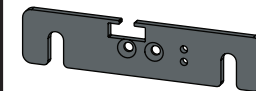
MA6118 X8



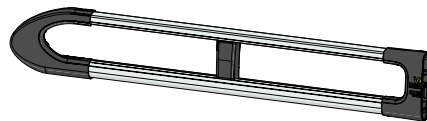
FX4241 X20



ME1622 X1



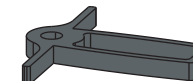
AS3530 X2
(2000 / B)



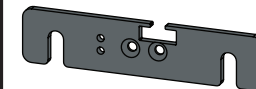
FX4008 X1



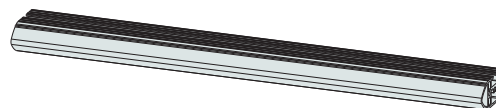
MA6145 X1



ME1623 X1



ME1626 X4
(1264mm)



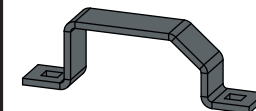
FX4001 X2
(M8X40)



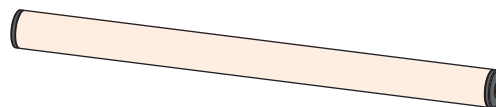
FX4235 X16
(M5X25)



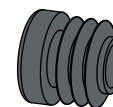
ME0203 X6



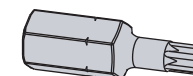
AS3158 X1
(1250mm)



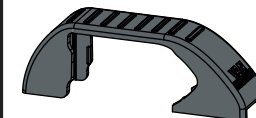
MA6007 X4



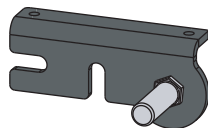
FX4248 X1
(T25)



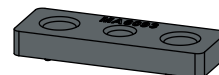
MA6065 X6



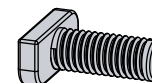
AS3590 X1



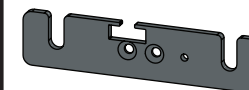
MA6093 X8



FX4239 X20
(M8X20)



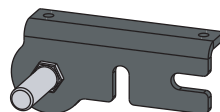
ME1620 X3



FX4016 X12
(M6)



AS3591 X1



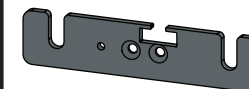
ME0316 X10



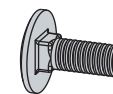
FX4240 X24
(M8)



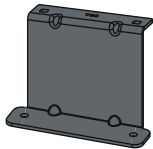
ME1621 X3



FX4042 X12
(M6X16)



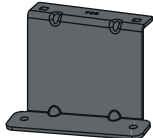
ME0755 X1



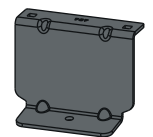
FX4014 X10



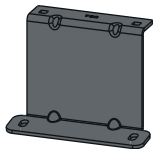
ME0756 X1



ME0757 X2



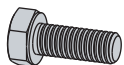
ME0758 X2



FX4010 X10
(M6)

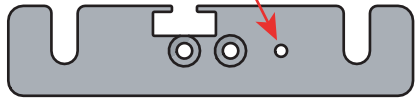


FX4012 X10
(M6X16)



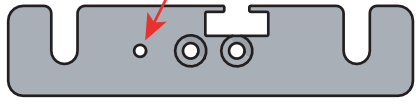
01

1L



X3

1R



X3

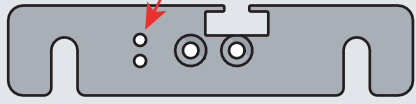


2L



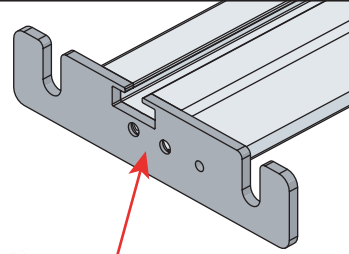
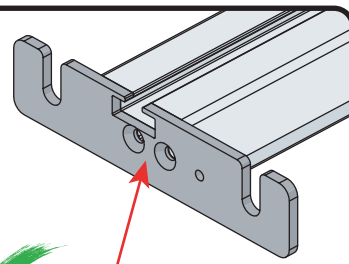
X1

2R



X1

02



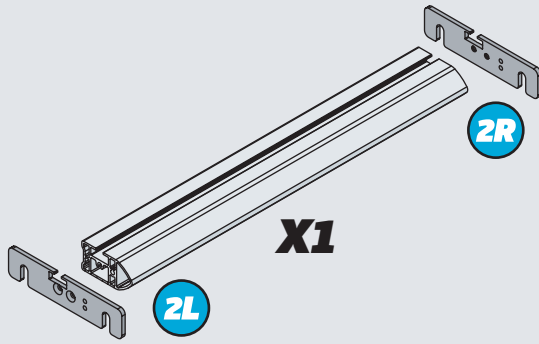
1R



X3

1L

2R



X1

2L

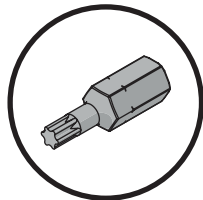
03

01

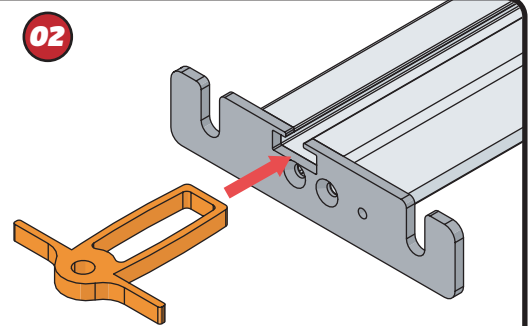
FX4248



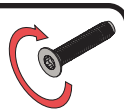
+



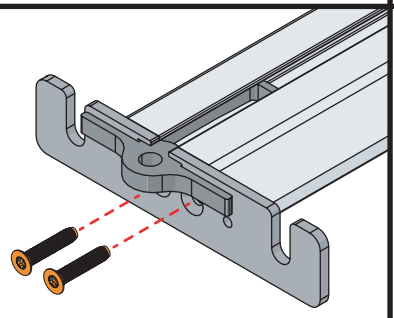
02



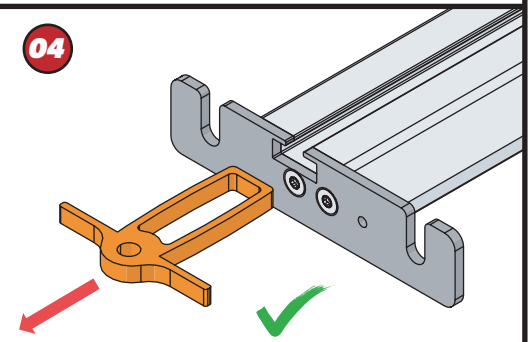
03



11Nm



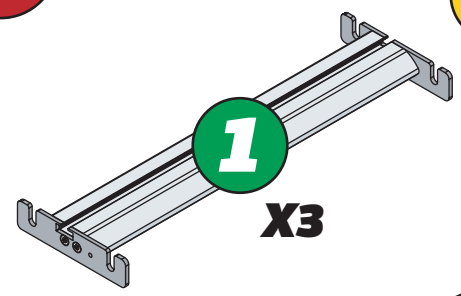
04



04

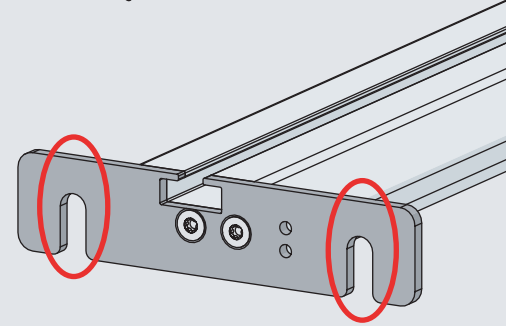
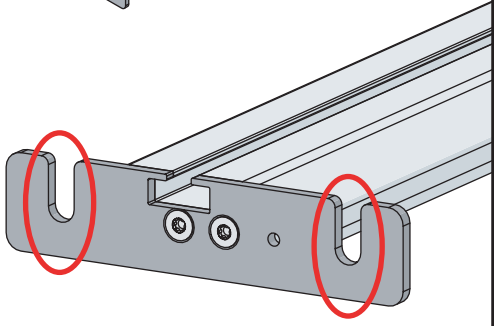
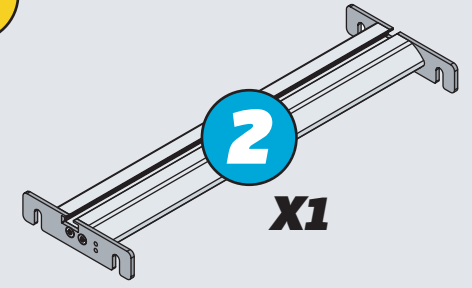
1

X3

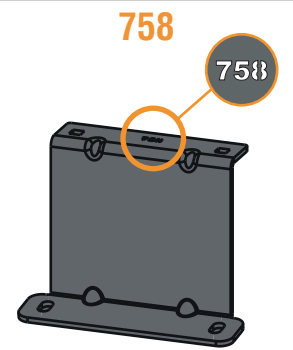
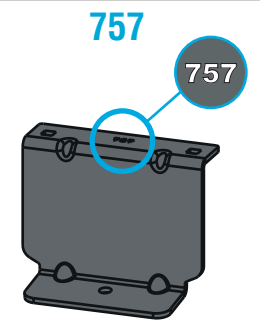
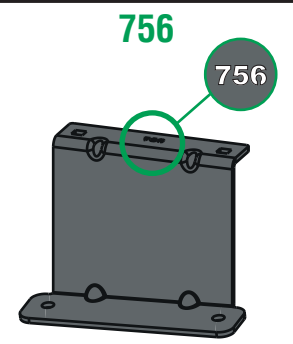
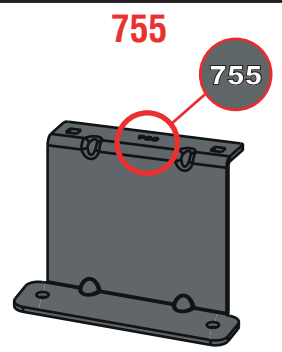
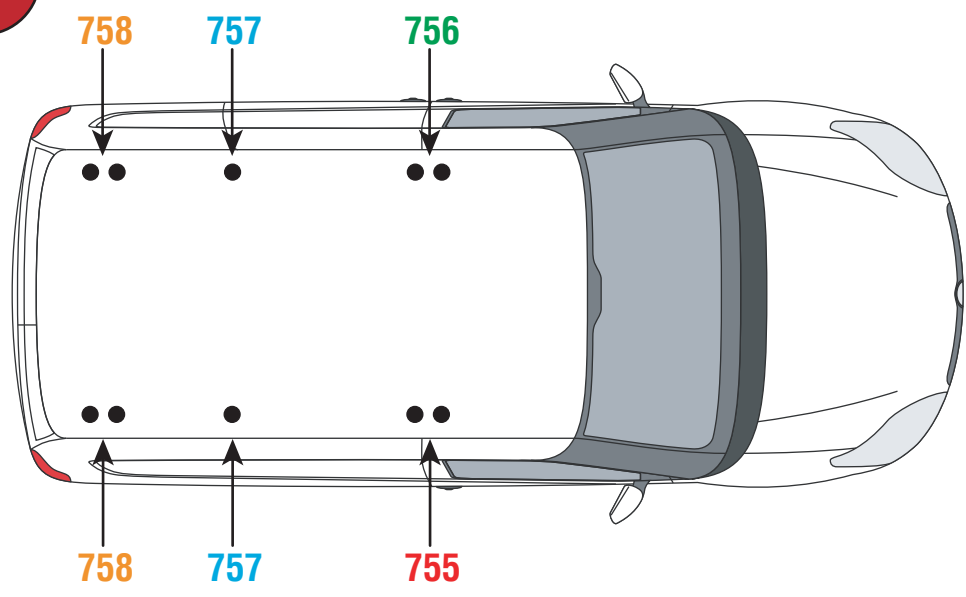


2

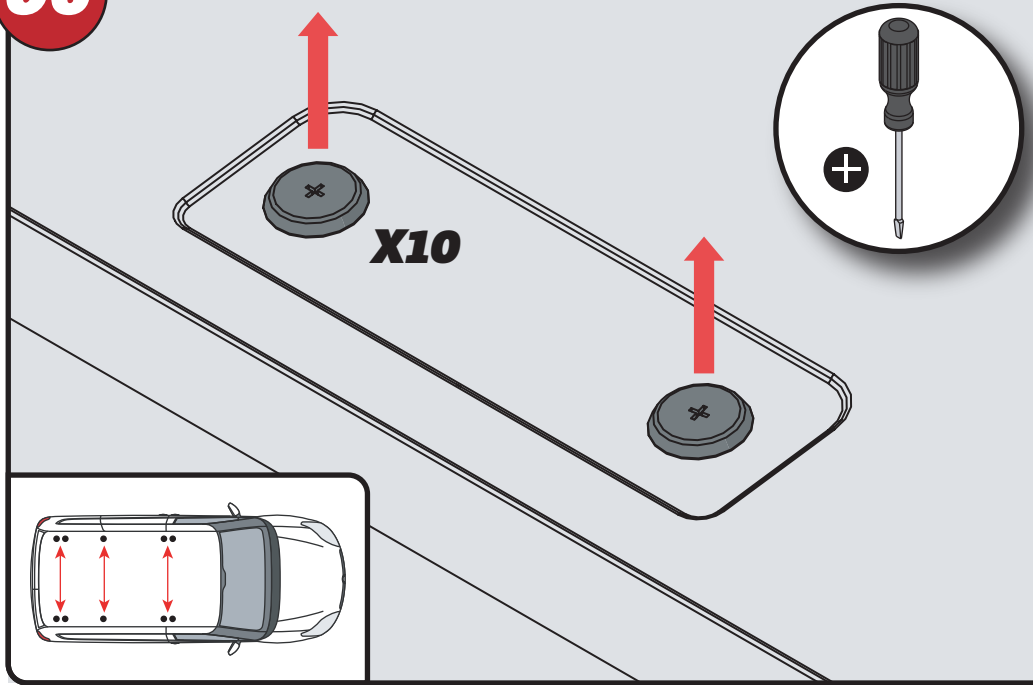
X1



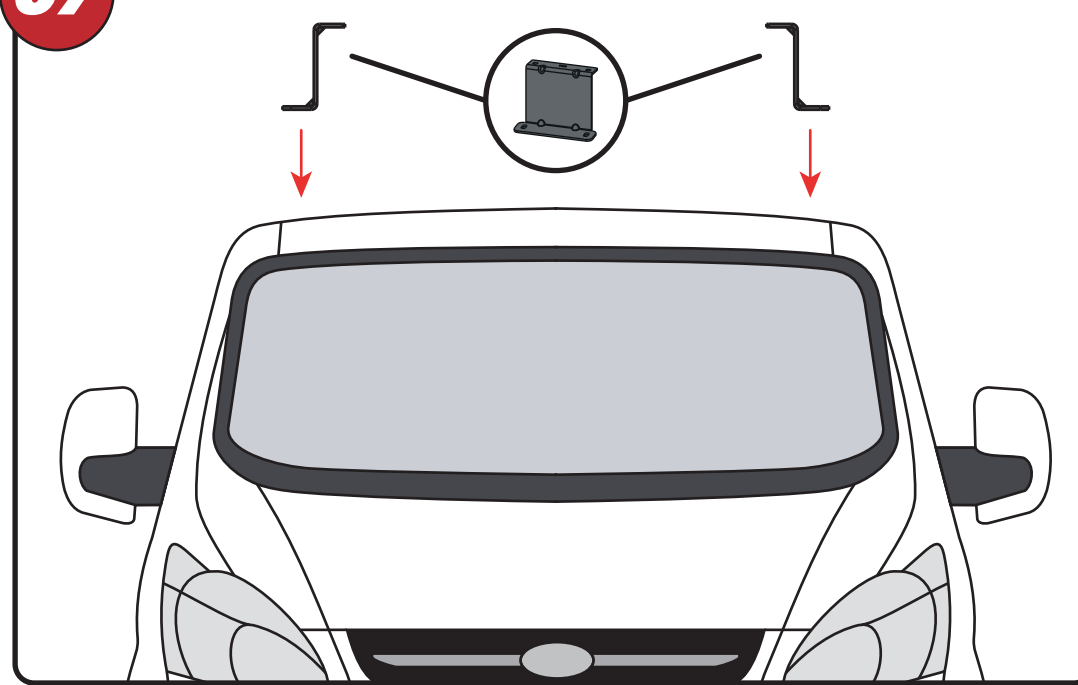
05



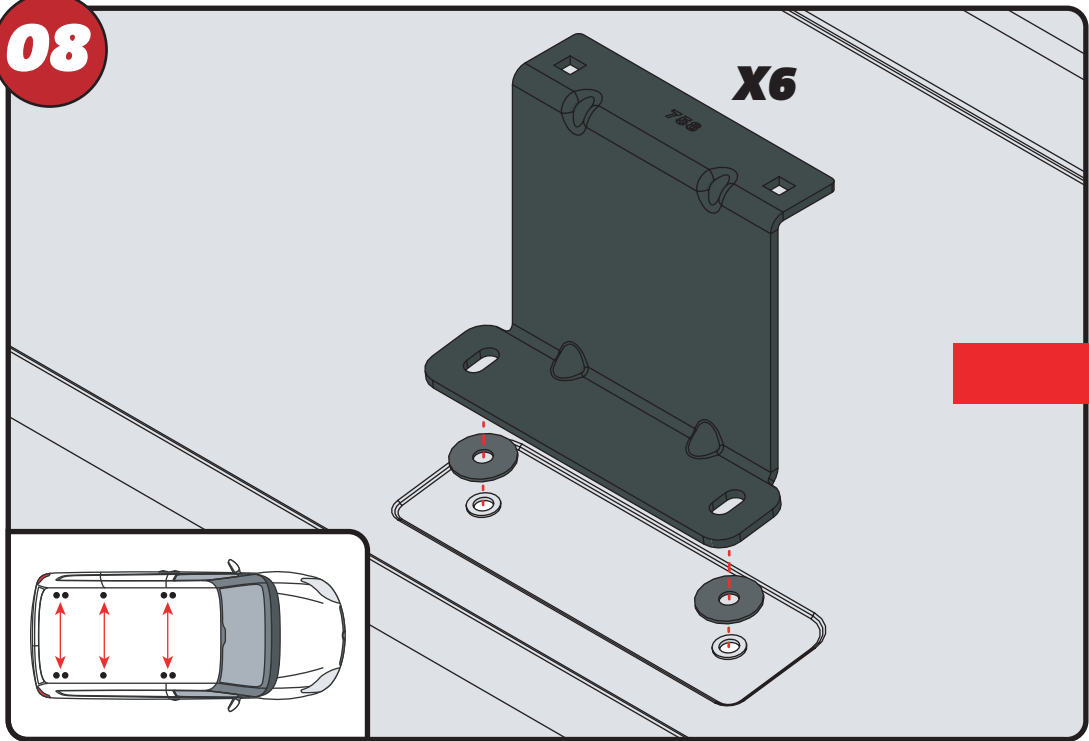
06



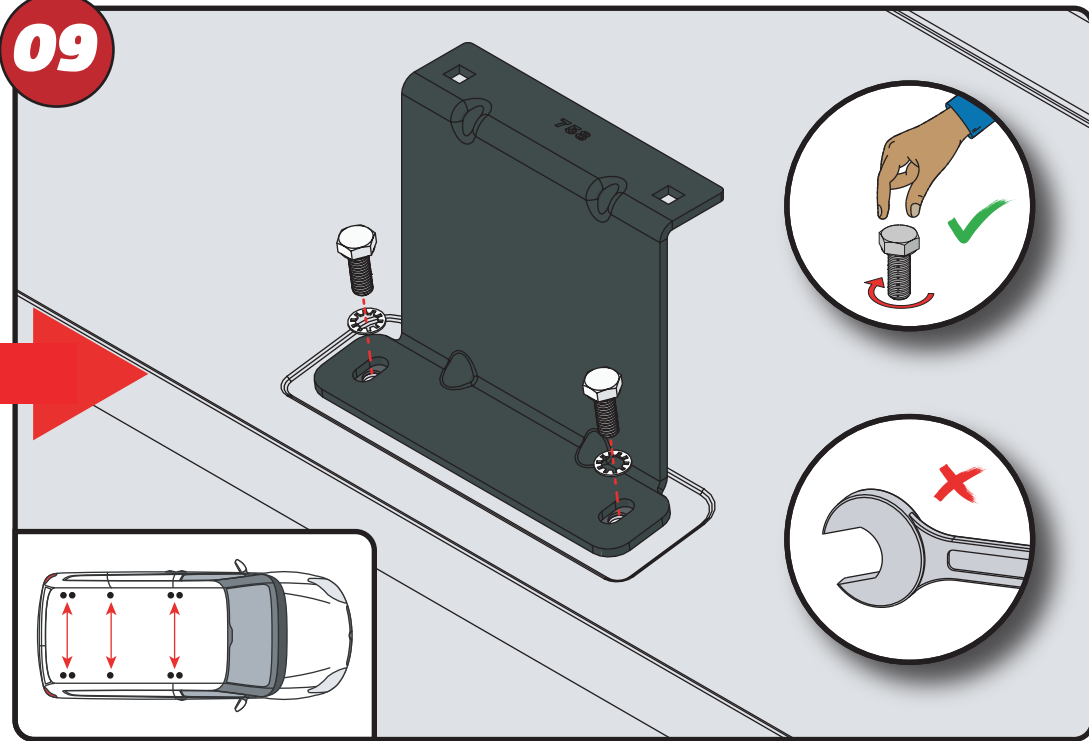
07



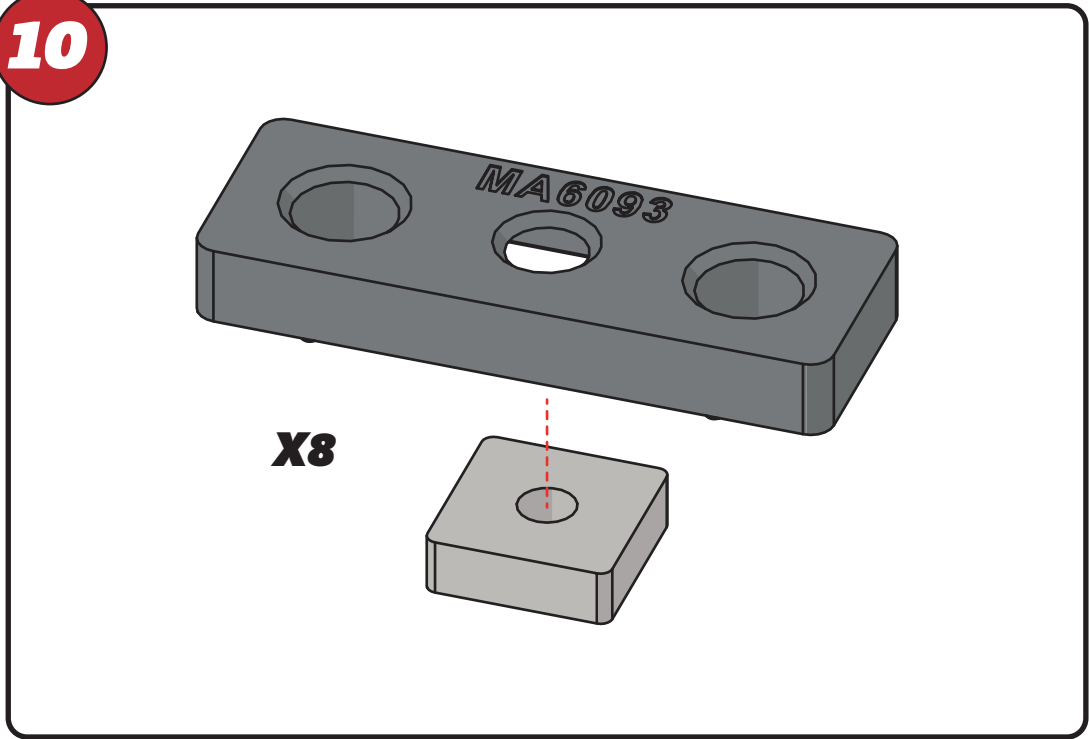
08



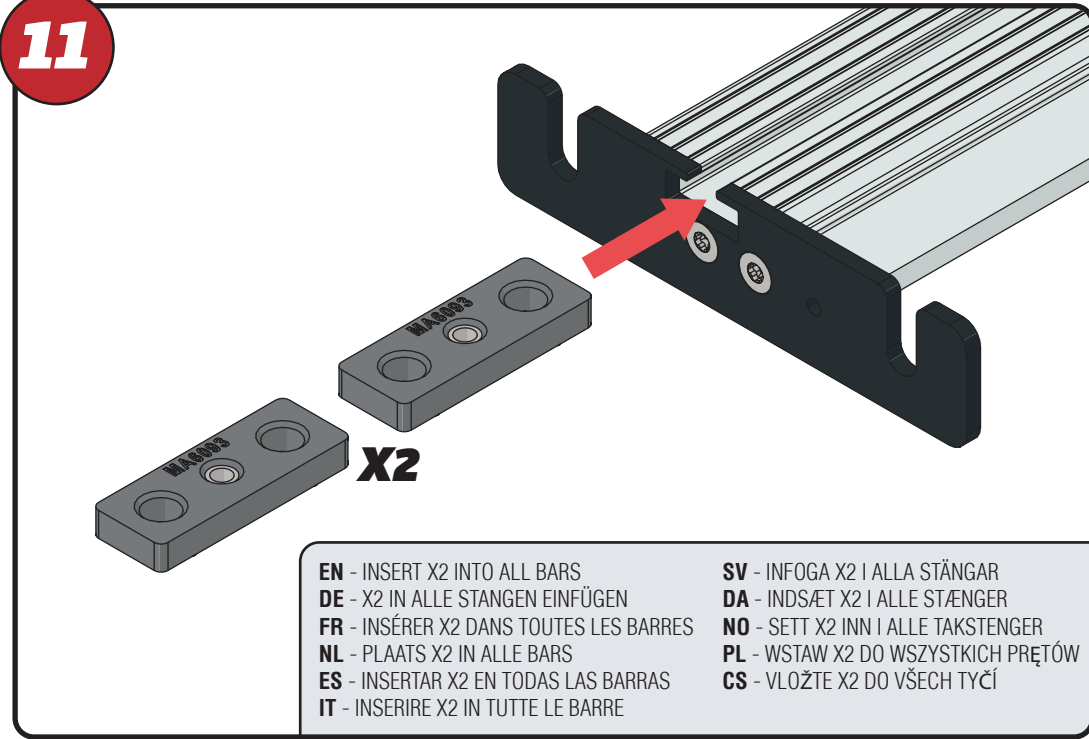
09



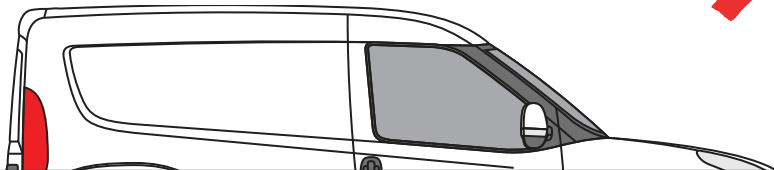
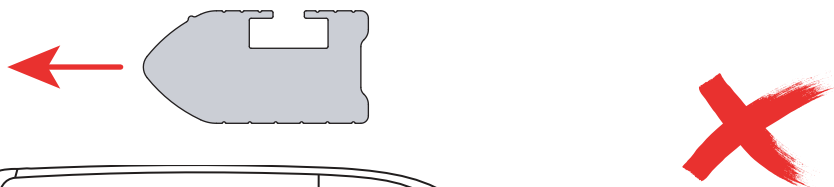
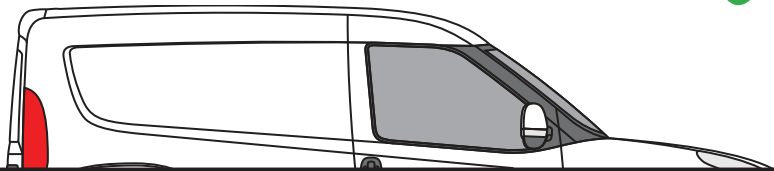
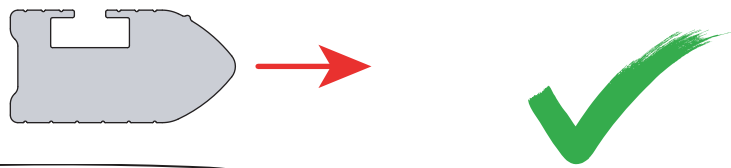
10



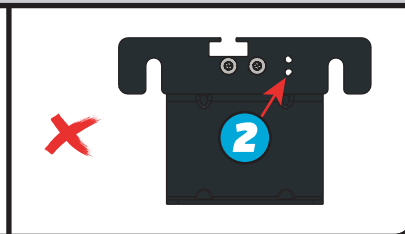
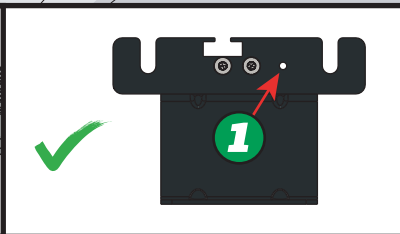
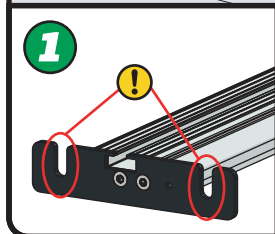
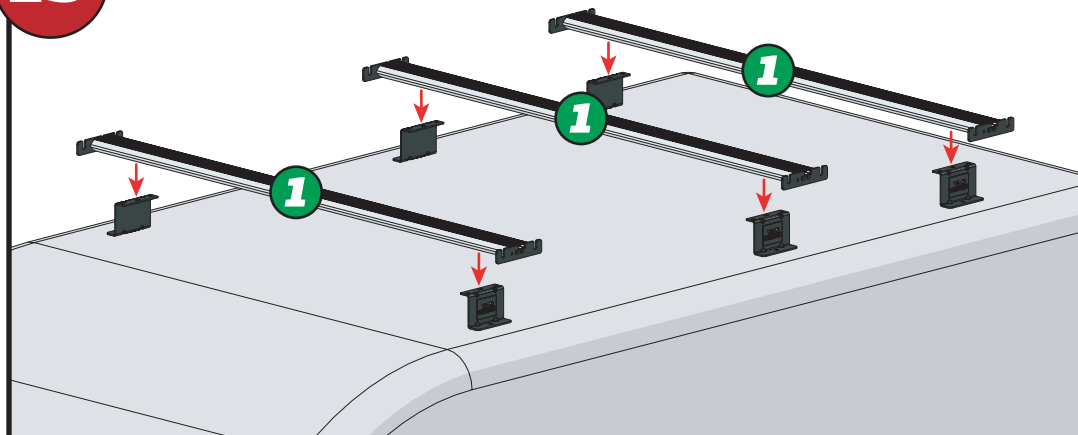
11



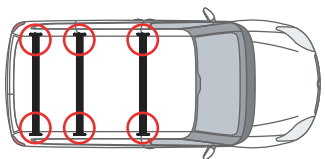
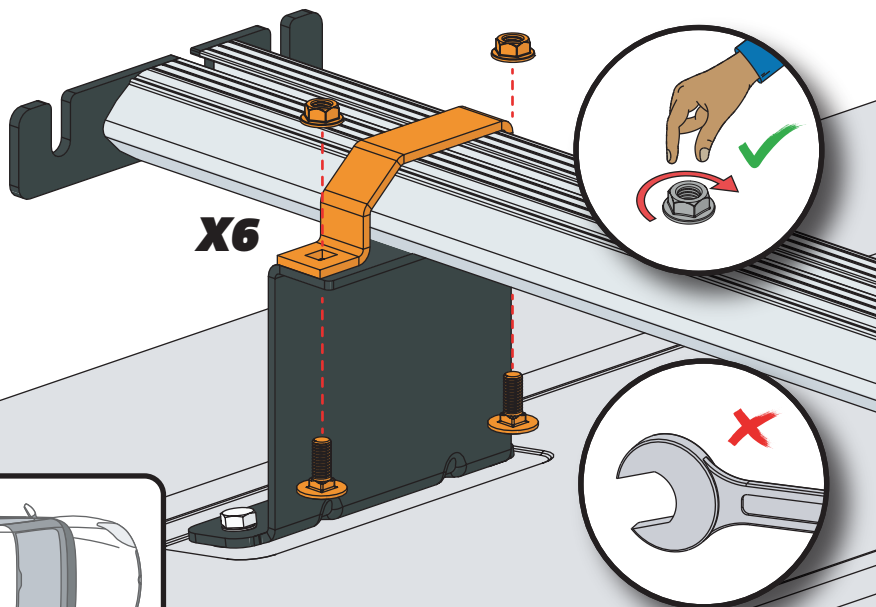
12



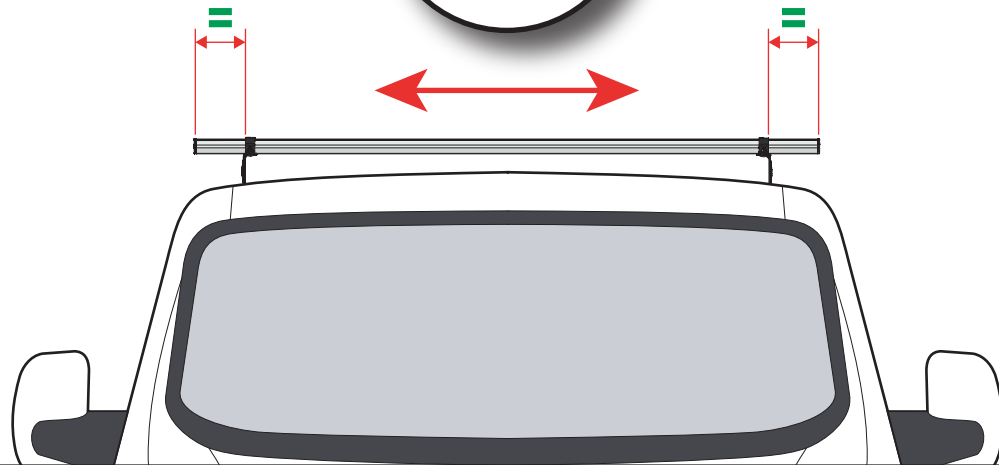
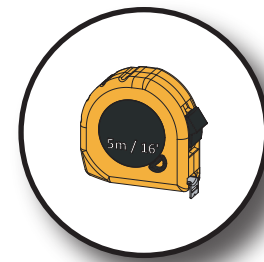
13



14



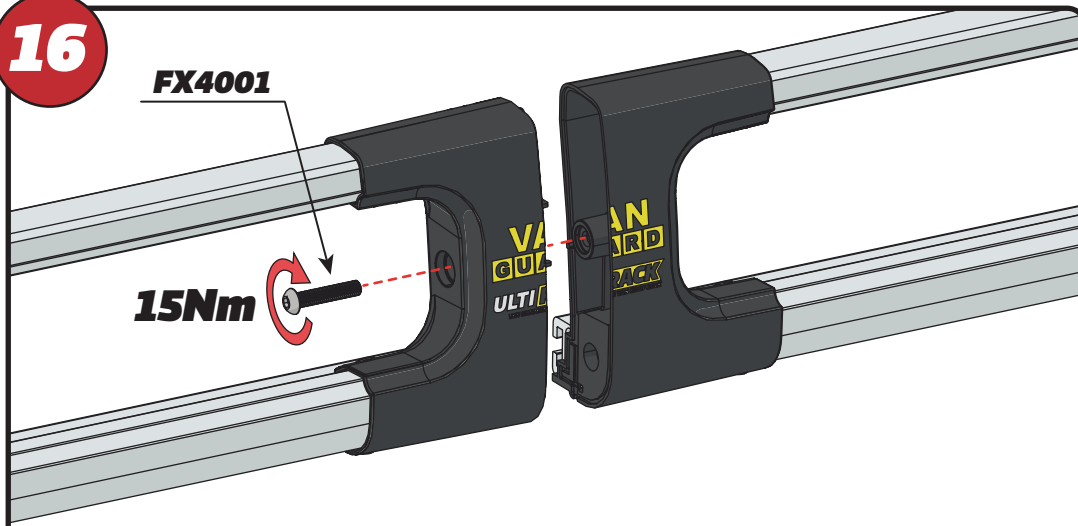
15



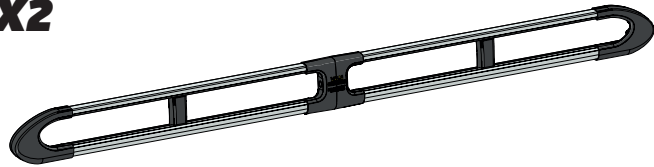
16

FX4001

15Nm



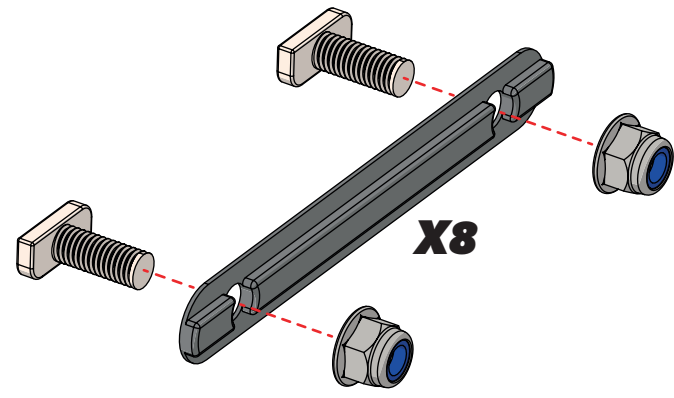
X2



FX4008

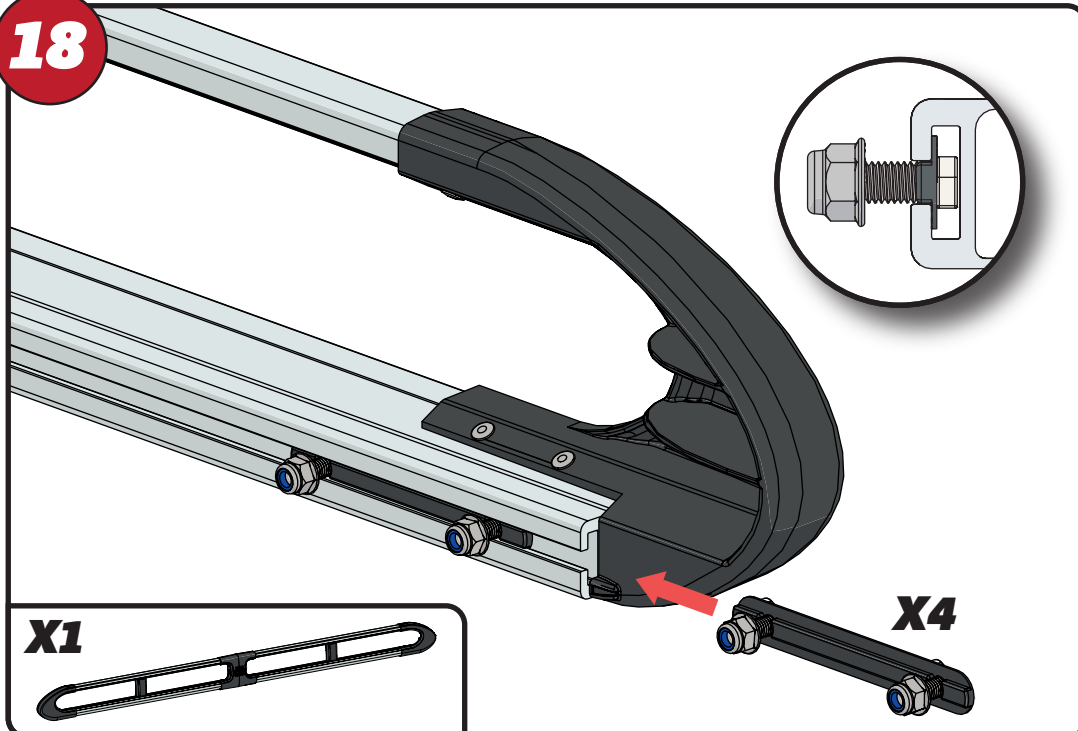


17

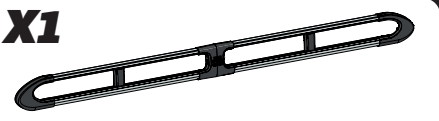


X8

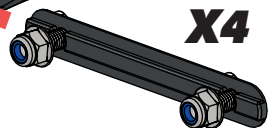
18



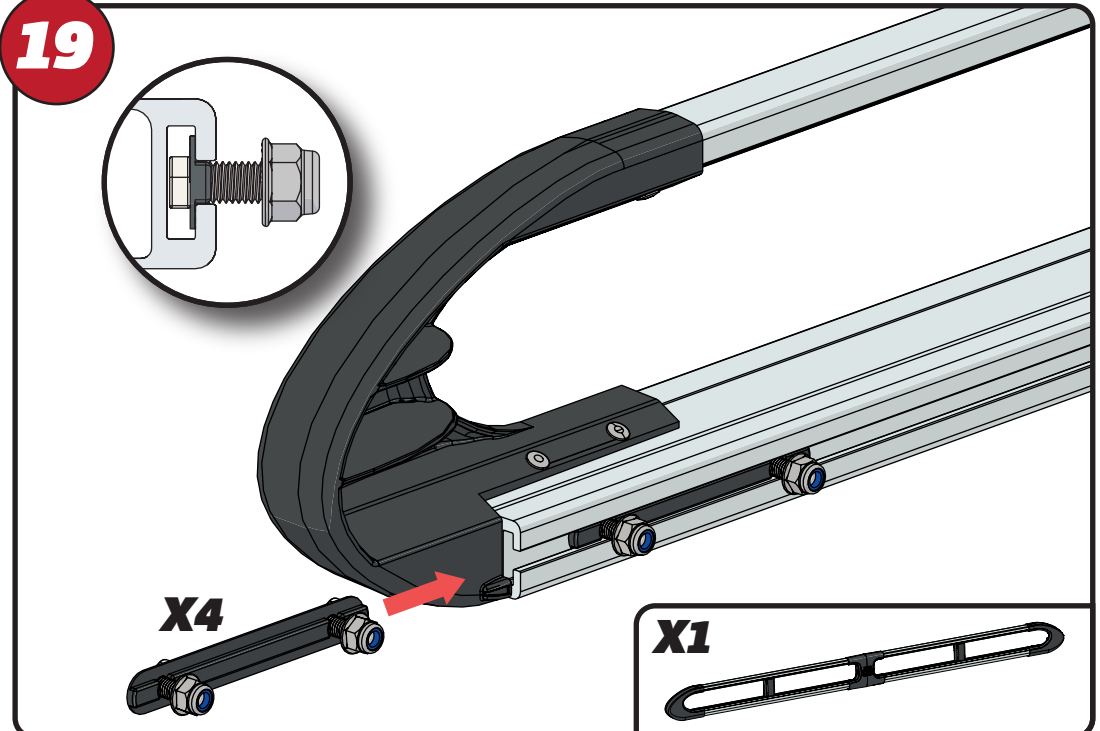
X1



X4



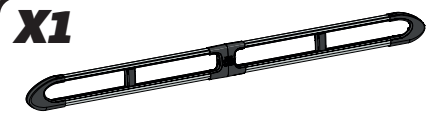
19



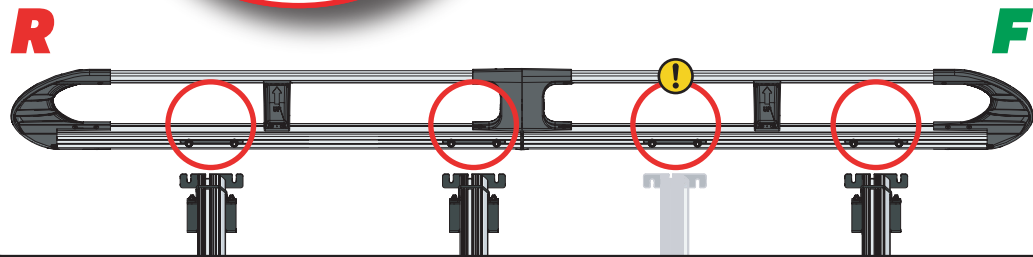
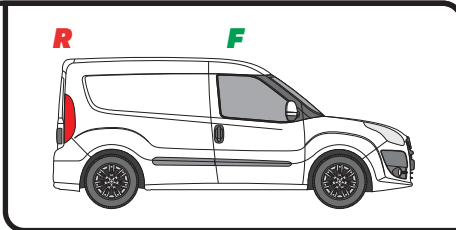
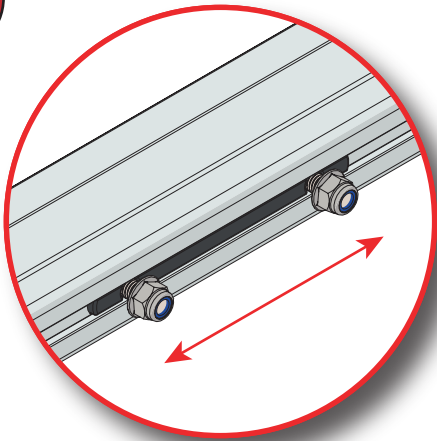
X4



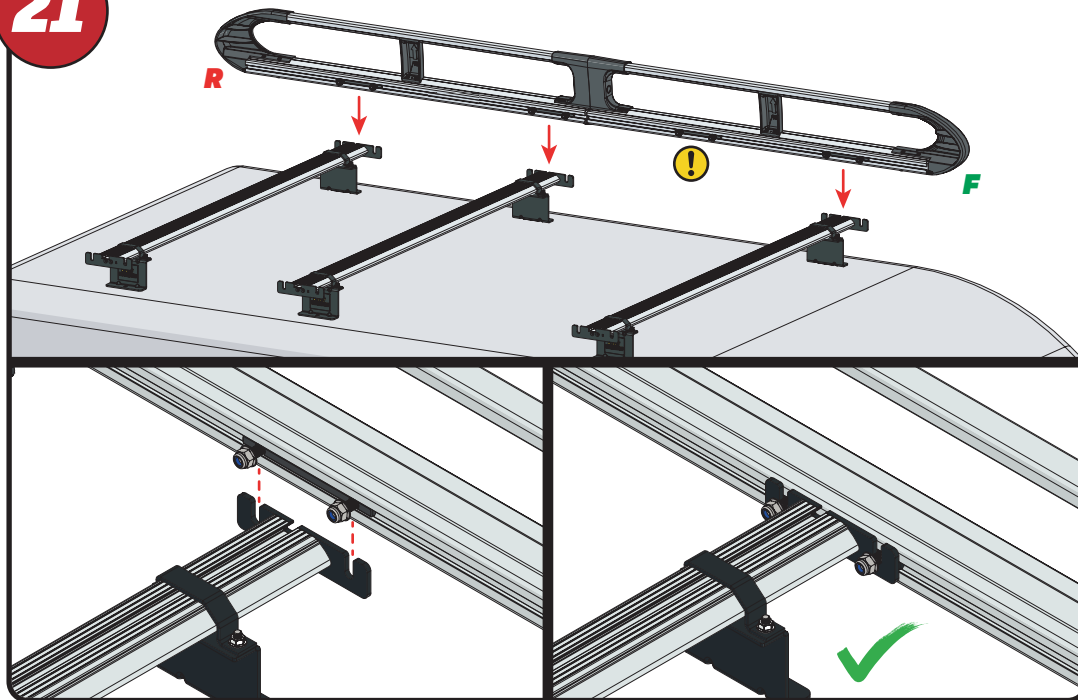
X1



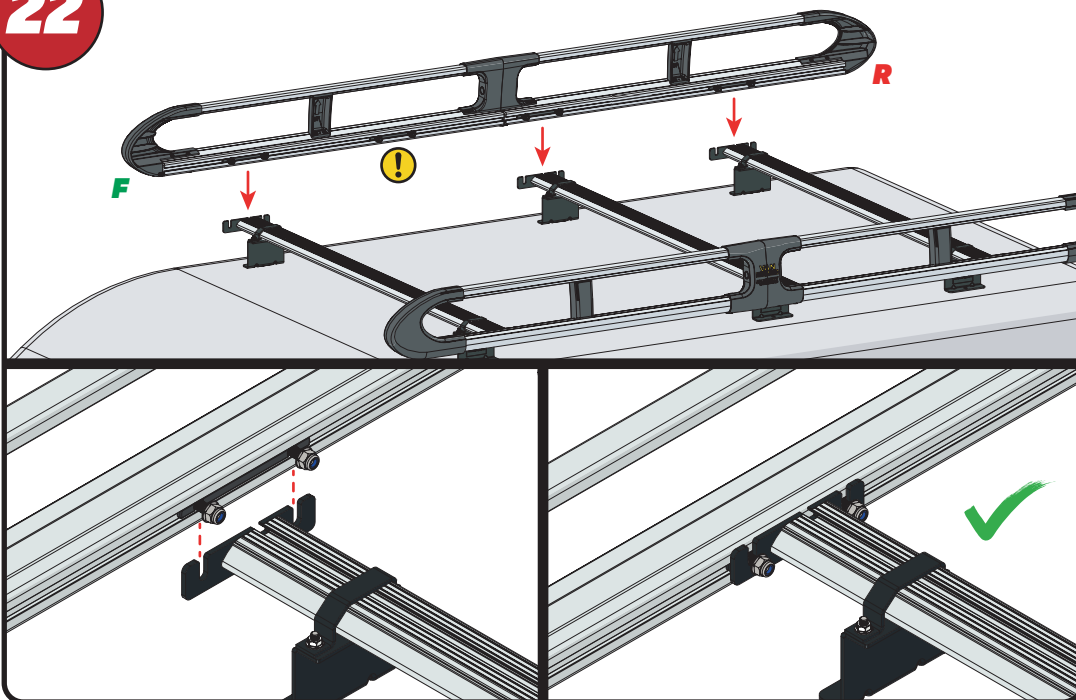
20



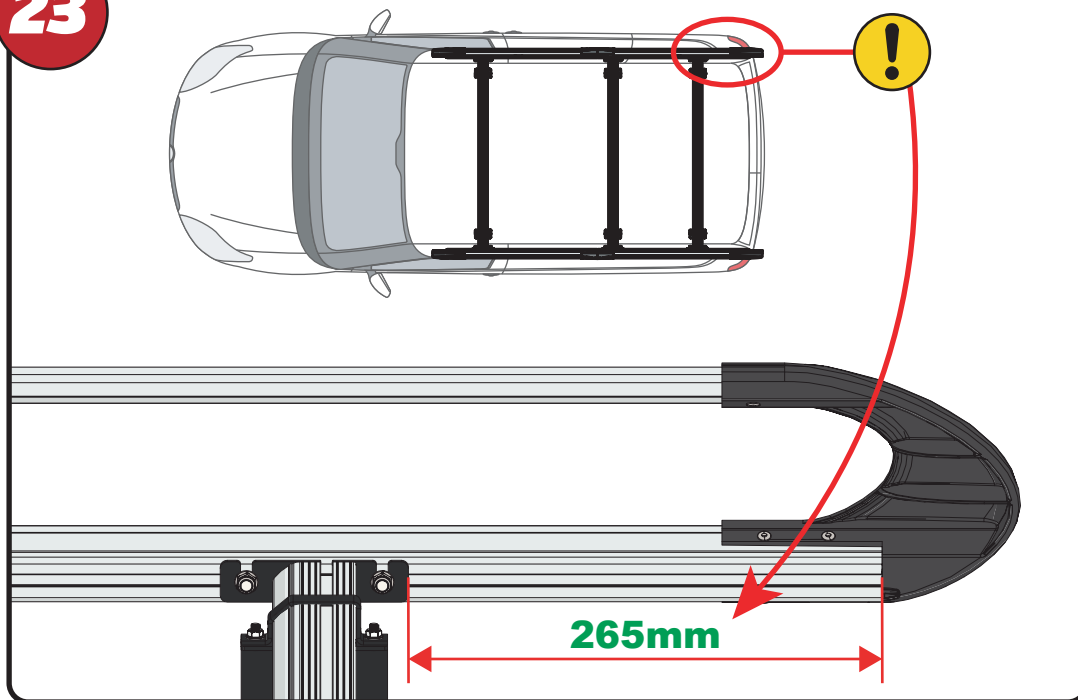
21

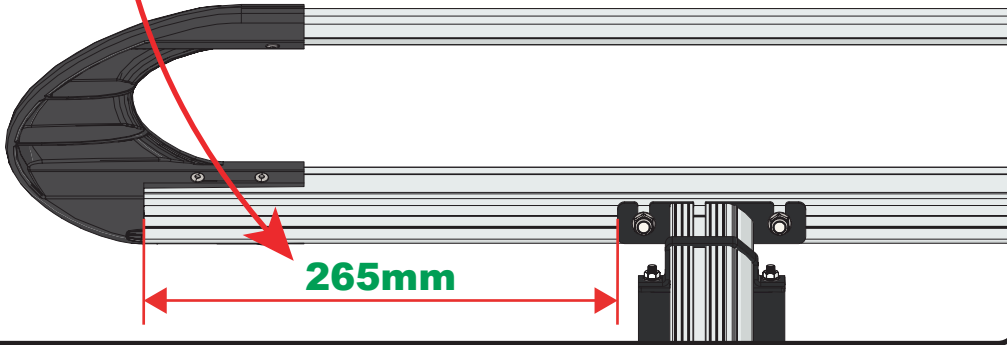
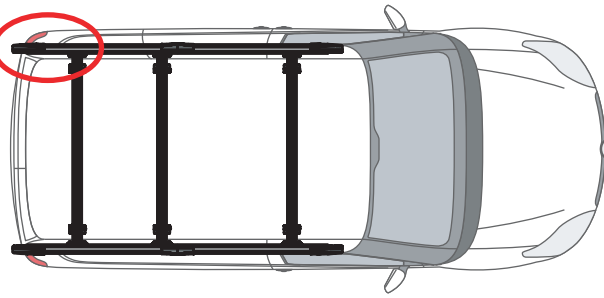
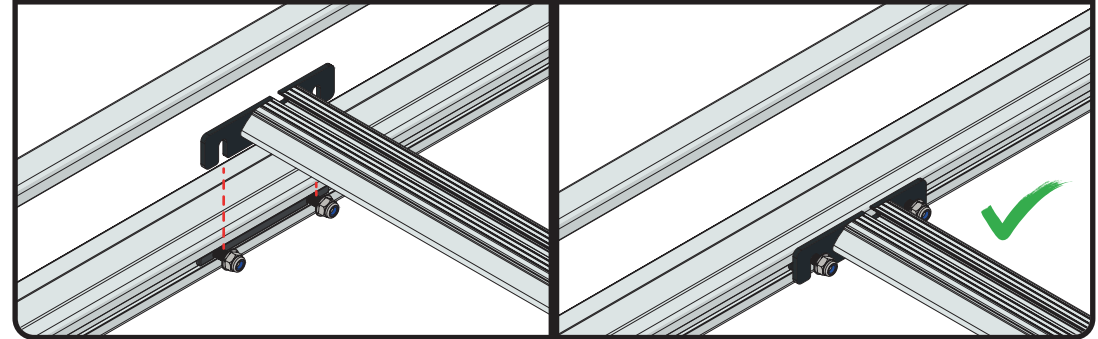
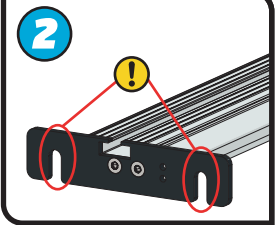
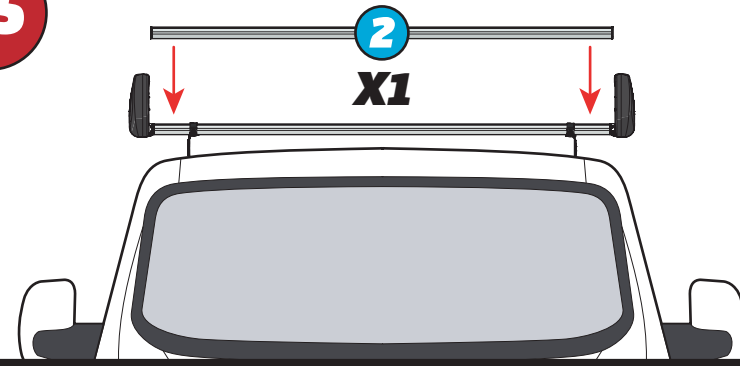
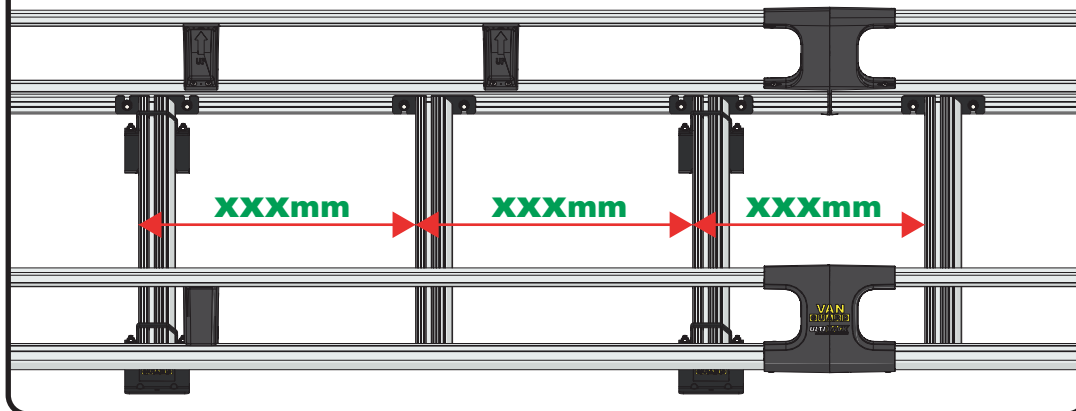
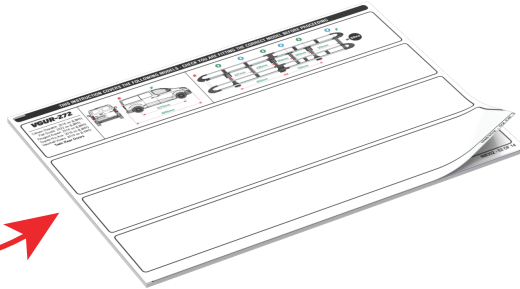
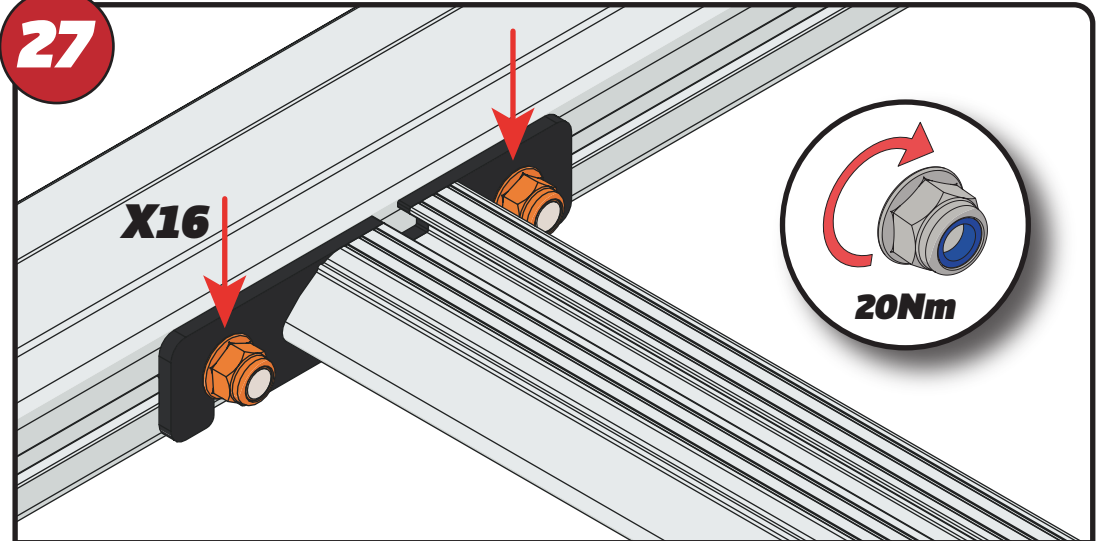


22



23

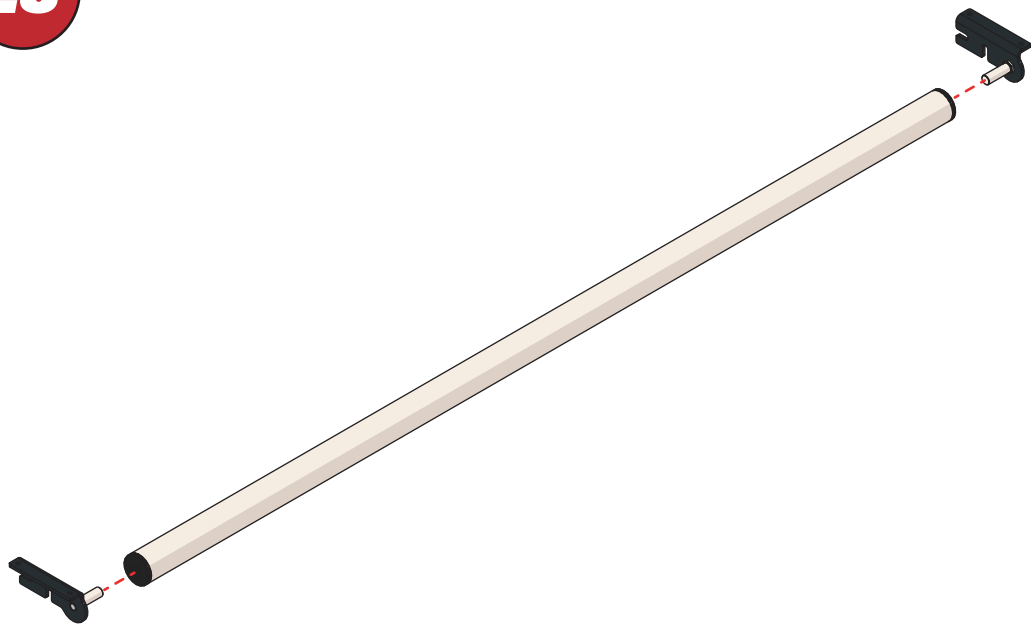


24**25****26**XXX =
PAGE 2 OF 14**27**

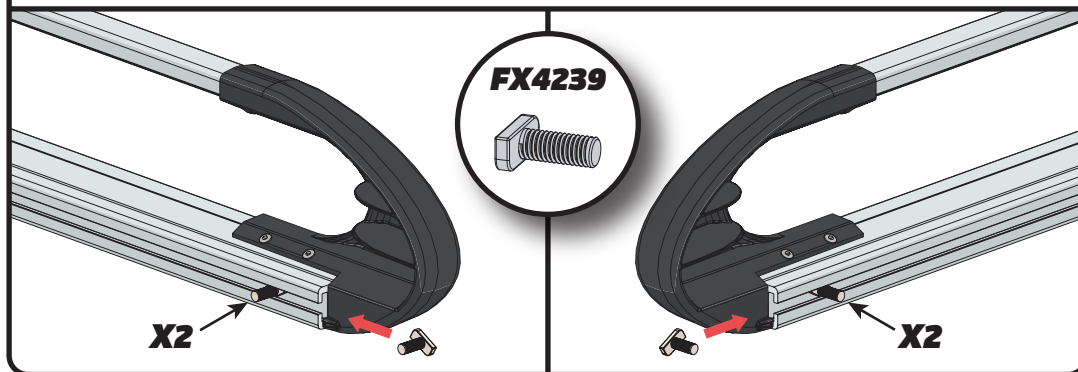
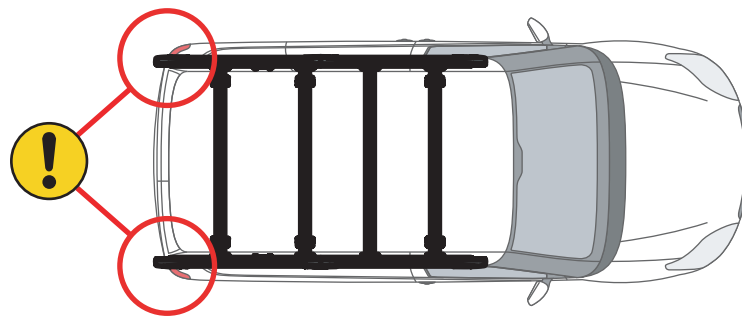
EN - TIGHTEN ALL OF THE CROSS BARS
 DE - ALLE QUERSTANGEN FESTZIEHEN
 FR - SERREZ TOUTES LES BARRES TRANSVERSALES
 NL - DRAAI ALLE DWARSBAKKEN AAN
 ES - APRIETE TODAS LAS BARRAS TRANSVERSALES
 IT - STRINGERE TUTTE LE BARRE TRASVERSALI

SV - SPÅA ALLA KORSSTANGAR
 DA - STRÆM ALLE Tværstængerne
 NO - STREM ALLE TVERRSTENENE
 PL - DOKRĘCIĆ WSZYSTKIE POPRZECZKI
 CS - UTAHUJTE VŠECHNY PŘÍČNÉ TYČE

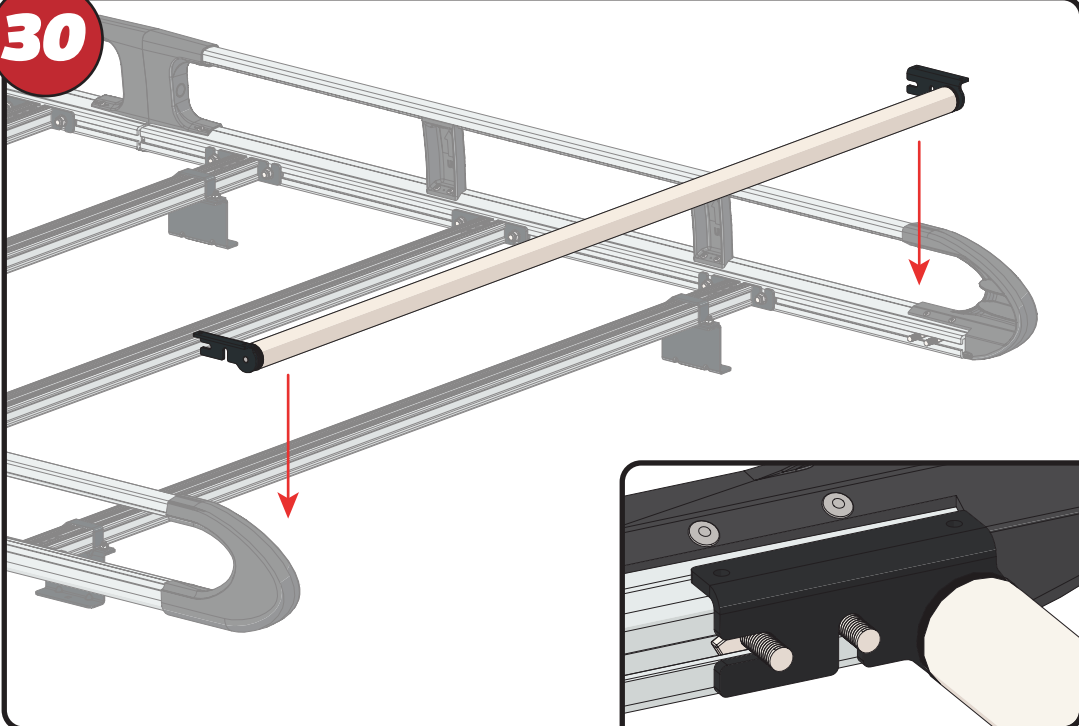
28



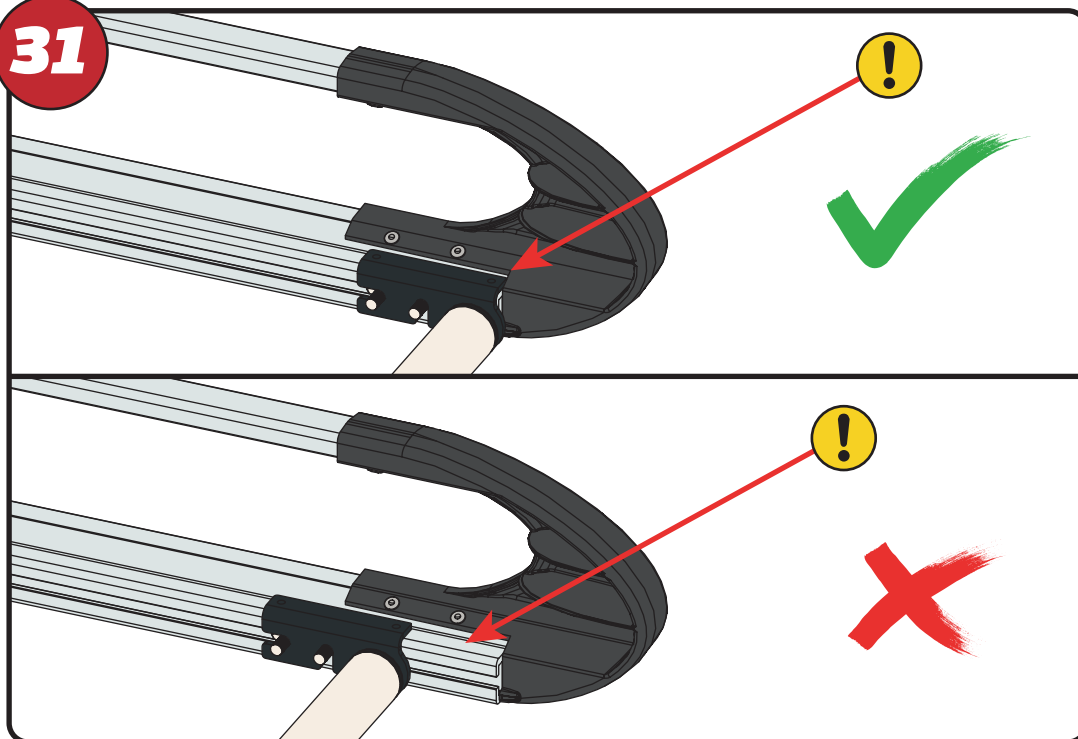
29



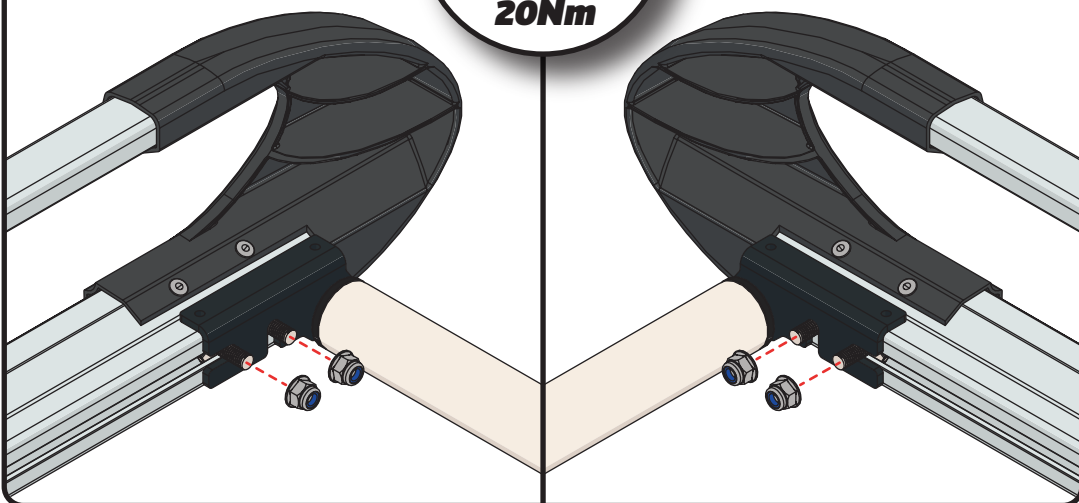
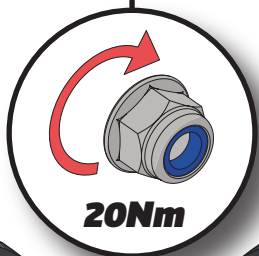
30



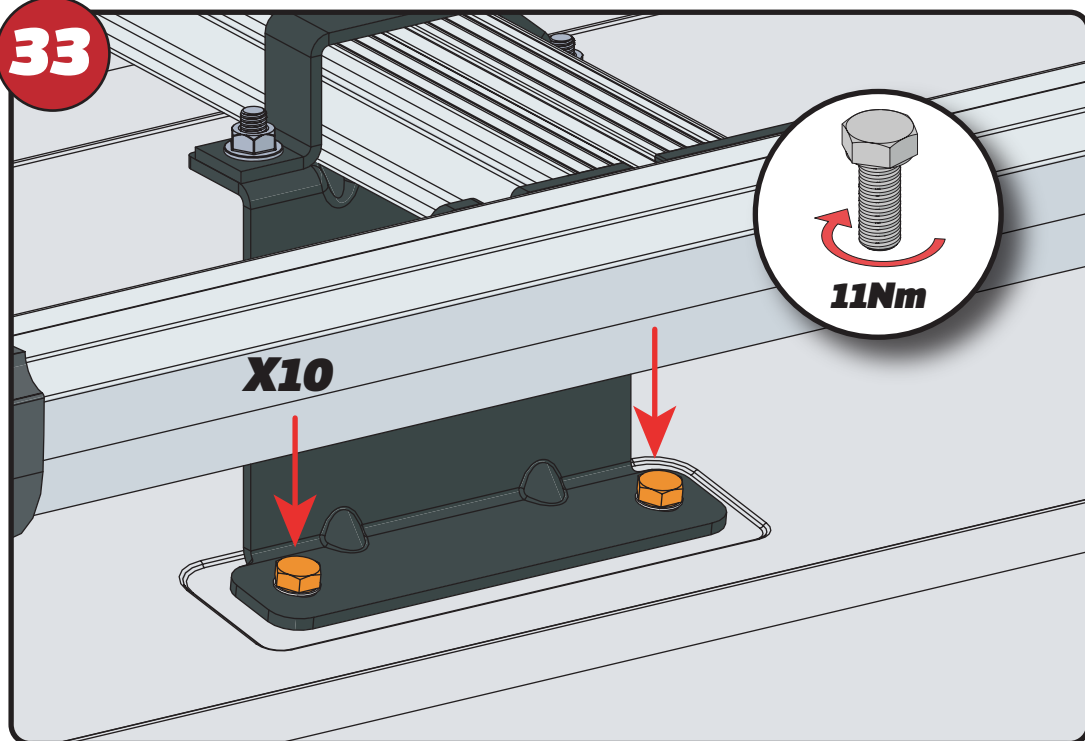
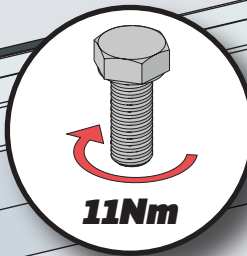
31



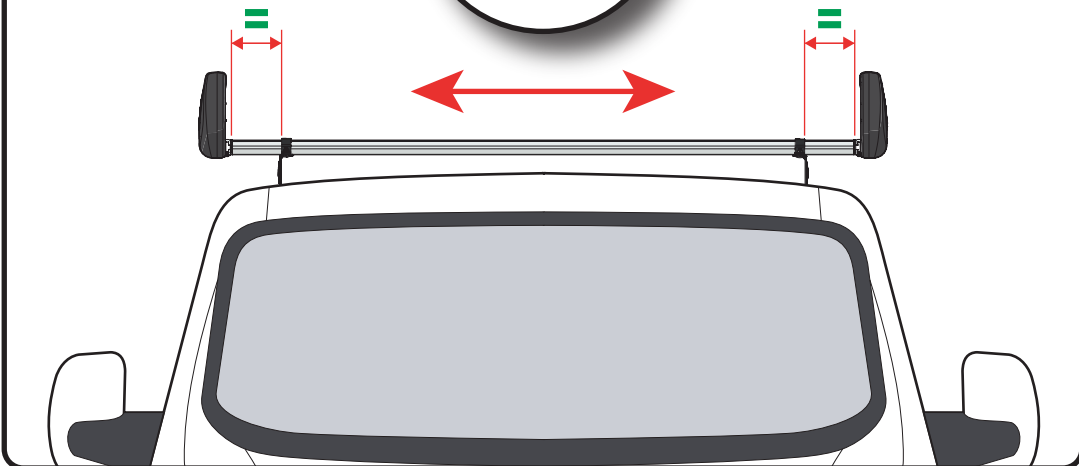
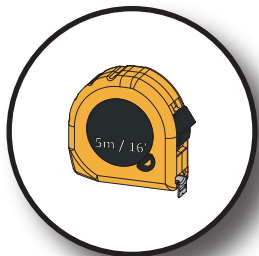
32



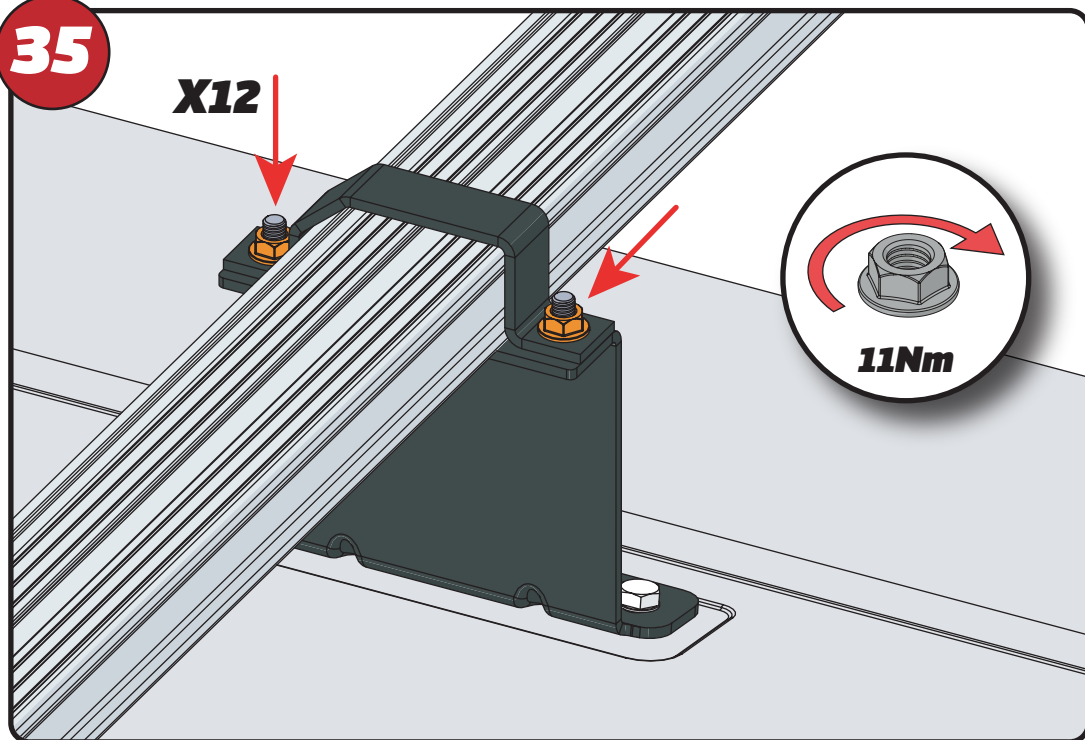
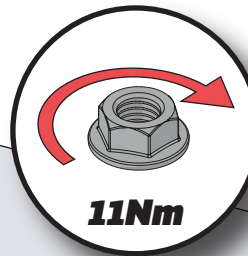
33



34



35

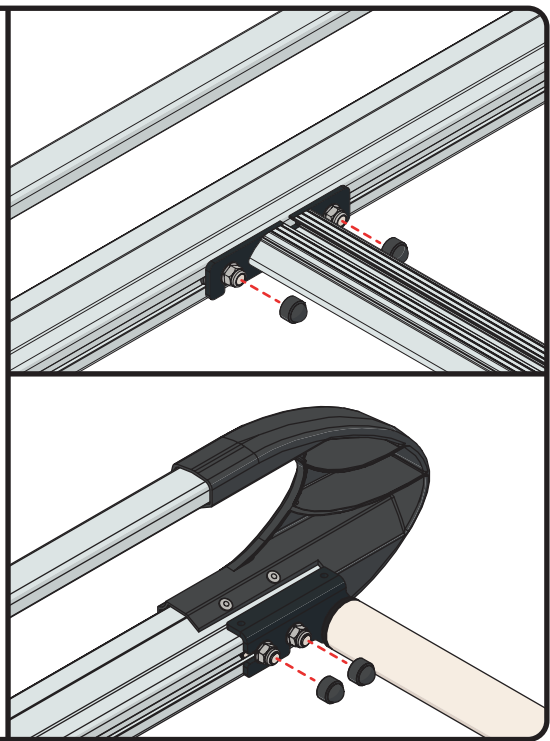


36



FX4241

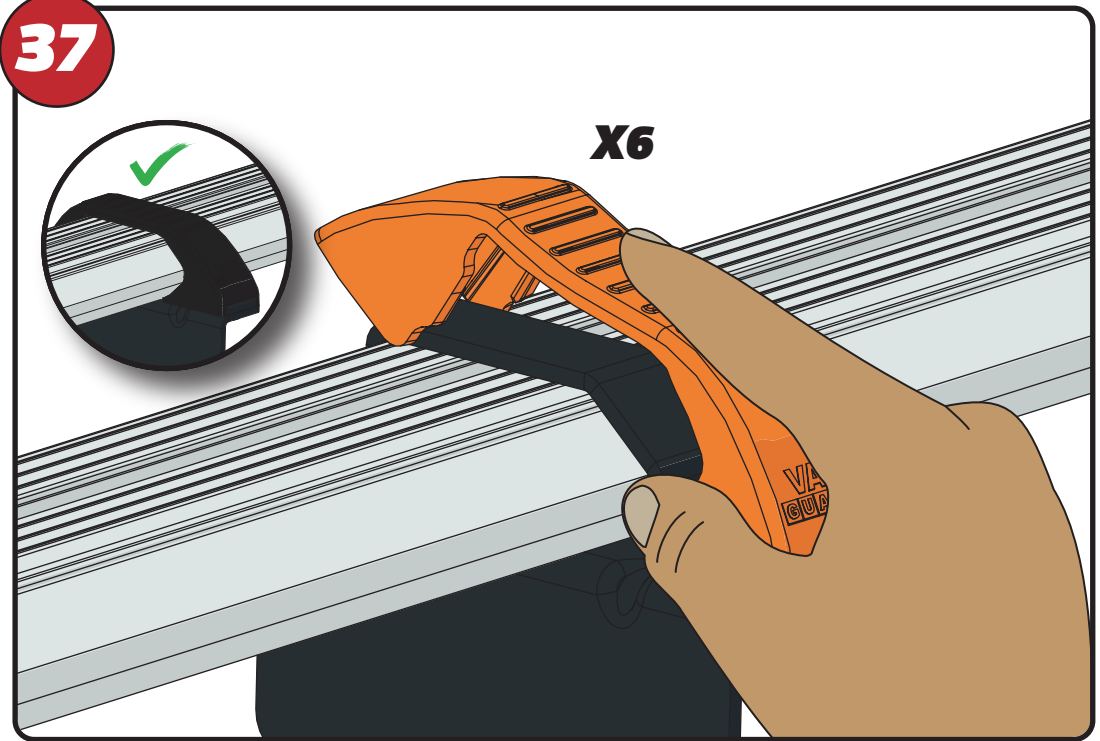
X20



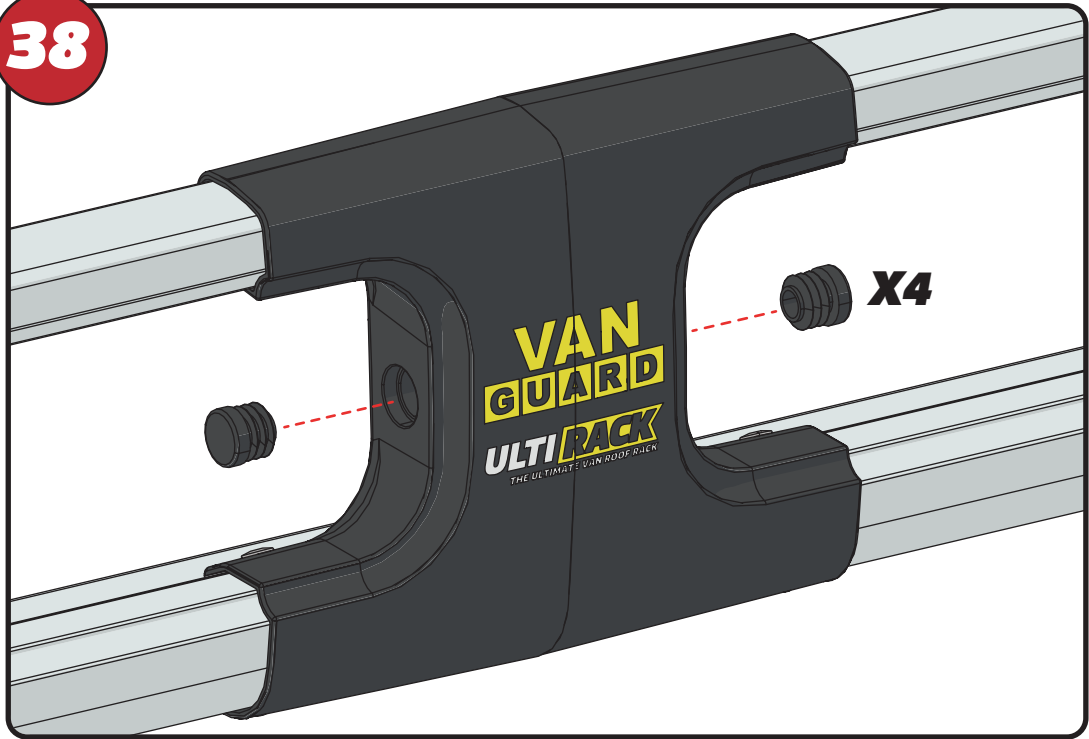
37



X6



38



VAN GUARD
ULTI RACK
THE ULTIMATE VAN ROOF RACK

X4

39

